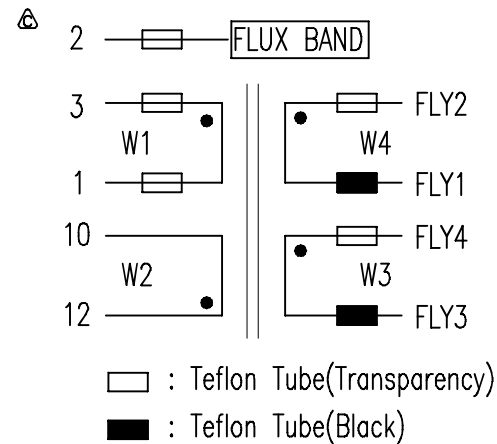


UNIT : mm



ELECTRICAL CHARACTERISTICS :

1. DCR : PIN 1-3 = 380mΩ MAX.
PIN 10-12 = 65mΩ MAX.
FLY1 - FLY2 = 300mΩ MAX.
FLY3 - FLY4 = 55mΩ MAX.
2. INDUCTANCE (@10kHz, 0.1Vrms) PIN 1-3 = 382uH ±10%
3. LEAKAGE INDUCTANCE (@100kHz, 0.1Vrms) :
PIN 1-3 (PIN 10-12, FLY1.FLY2.FLY3.FLY4 SHORT) = 15uH MAX.
4. TURN RATIO : (@100kHz, 0.1Vrms)
PIN 3-1 : 12-10 = 6.1 ±2%
PIN 3-1 : FLY2-FLY1 = 1.54 ±2%
PIN 3-1 : FLY4-FLY3 = 7.2 ±2%
5. HI-POT : (@3000VAC, 2mA, 2SEC.) PIN 3.12 - FLY2.FLY4
6. RoHS COMPLIANTE

								TITLE AUDIO TRANSFORMER	
								DWG. NO. ATS-1558R	
RELEASE						UNITES:		SAFETY	
NO: DESCRIPTION DATE BY CHK APPD						DATE		P/N:	
REVISIONS								SHEET 1 OF 1	
								DRAW	